

Wire Saddle

Nylon 66, 9.4 mm

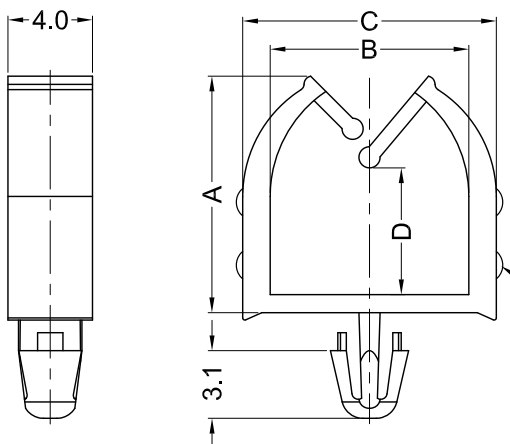
FEATURES:

Durable

Arrowhead mount

SPECIFICATION:

Material	Nylon 66
Colour	Natural
Affixing Method	Snap Lock
A	11.2 mm
B	9.4 mm
C	12 mm
D	6 mm
Hole Diameter	3±0.05 mm
Panel Thickness	1.6 mm



Art. Nr.

RND 610-00326